

METROPOLITAN

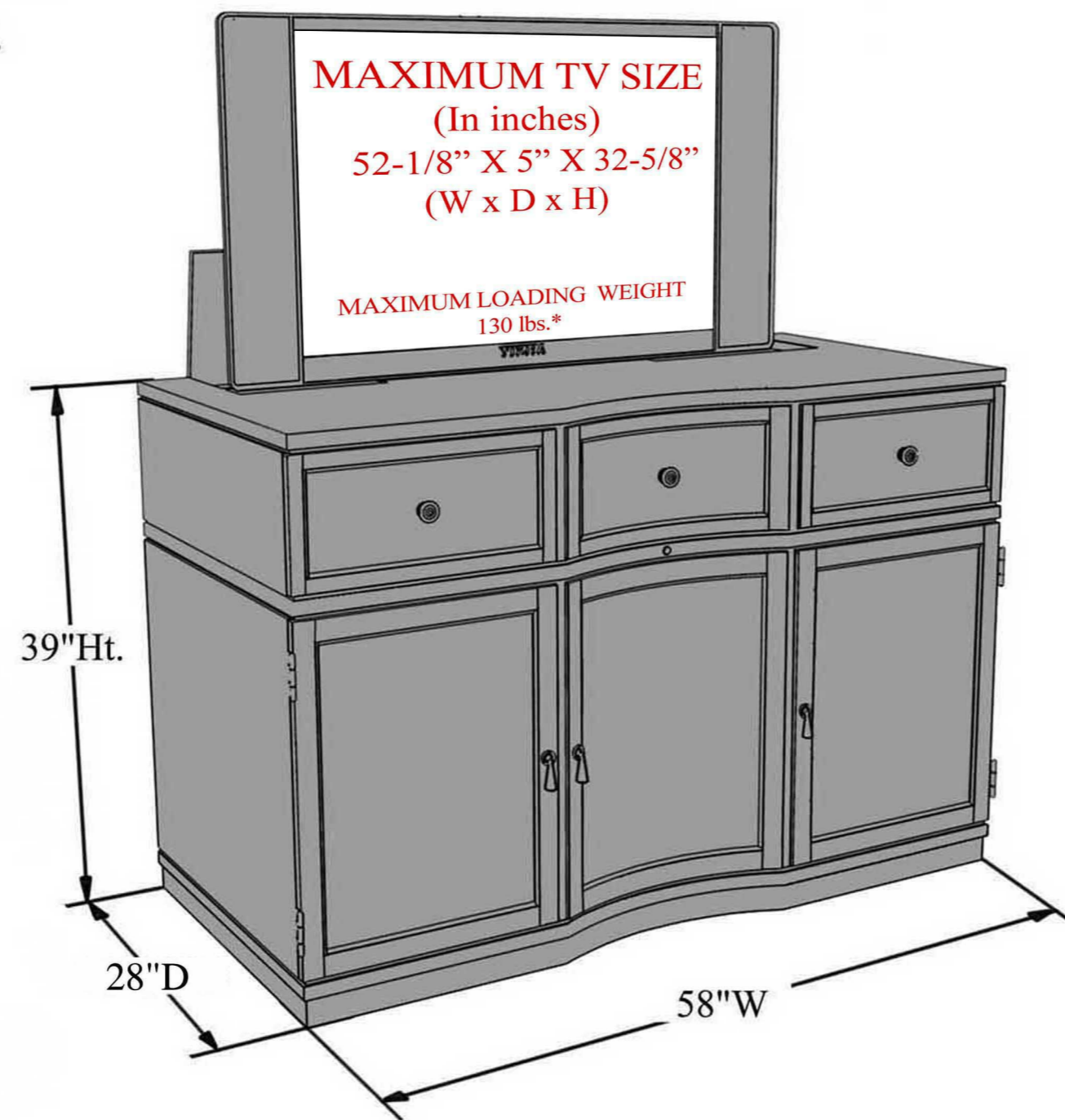
FLAT SCREEN LIFT CABINET

LIFT FEATURES:

- *Fully assembled.
- *1 year in home parts and labor warranty.
- *Radio Frequency Remote.
- *Universal TV mounting bracket included.
- *Auto reversing safety mechanism.
- *Heavy duty rack and pinion drive system.
- *Smooth and stable travel.
- *Nearly silent operation.
- *Welded steel construction.
- *Thermal overload protection.
- *Built in wire management.
- *Patent Pending.

CABINET FEATURES:

- *Fully assembled.
- *Built in Infrared Relay System.
- *Hand selected solid wood and veneer with luxuriously rich finish.
- *Center door includes interchangeable wood panel, speaker panel & glass panel.
- *Multi step stain and scratch resistant finish.
- *Adjustable shelves.
- *Fully ventilated to allow for generous air circulation.



PERSPECTIVE

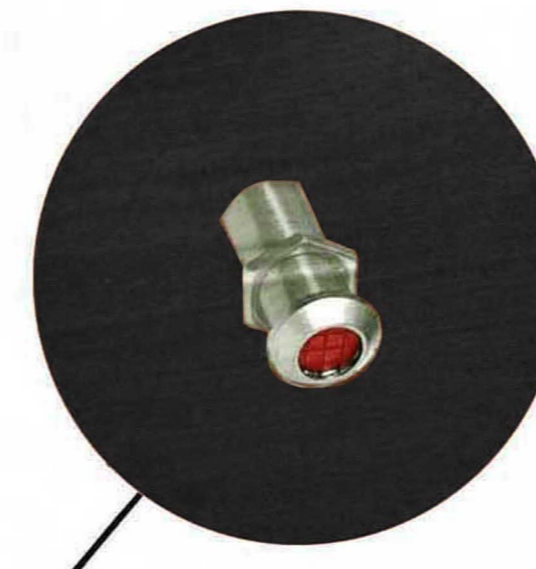


CARAMEL

Also available in this color



Shown with speaker cloth in middle door



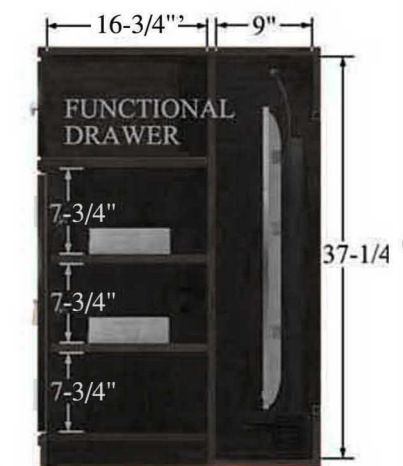
Infrared relay system provides a window from your handheld remotes to your TV and audio components even though they are concealed inside the cabinet. No programming required!



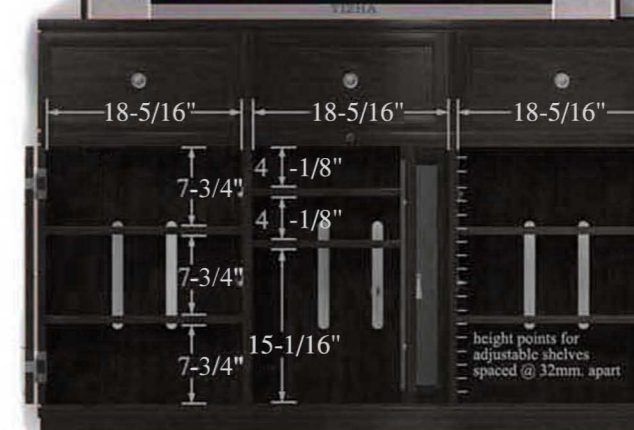
TOP VIEW (LID CLOSED)



TOP VIEW (LID OPEN)



SIDE VIEW SECTION



FRONT VIEW (OPEN)



FRONT VIEW (CLOSED) WITH WOOD PANEL



SIDE VIEW