

CRYSTAL POINTE-XL

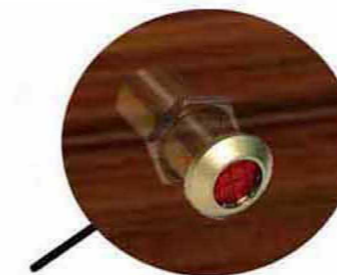
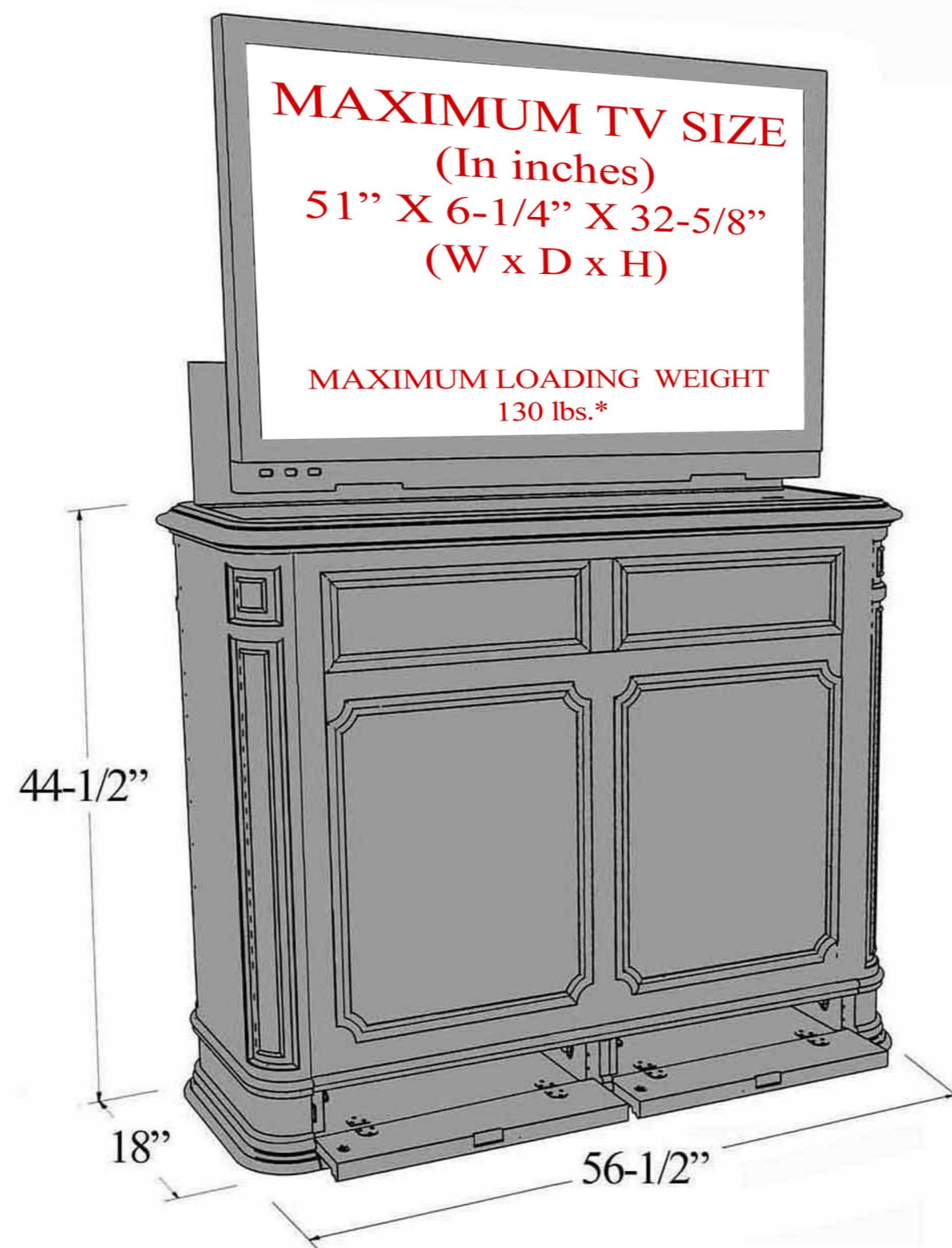
PLASMA CONSOLE (FOOT OF THE BED UNIT)

LIFT FEATURES:

- *Fully assembled.
- *1 year in home parts and labor warranty.
- *Radio Frequency Remote.
- *Universal TV mounting bracket included.
- *Auto reversing safety mechanism.
- *Heavy duty rack and pinion drive system.
- *Smooth and stable travel.
- *Nearly silent operation.
- *Welded steel construction.
- *Thermal overload protection.
- *Built in wire management.
- *Patent Pending.

CABINET FEATURES:

- *Fully assembled.
- *Built in Infrared Relay System.
- *Hand selected hardwood solids and rare African Mahogany veneers.
- *Multi step stain and scratch resistant finish.
- *Fully ventilated to allow for generous air circulation.



Infrared relay system provides a window from your handheld remotes to your TV and audio components even though they are concealed inside the cabinet. No programming required!

