

www.ImportAdvantage.com

1-877-377-5435

# PRISM

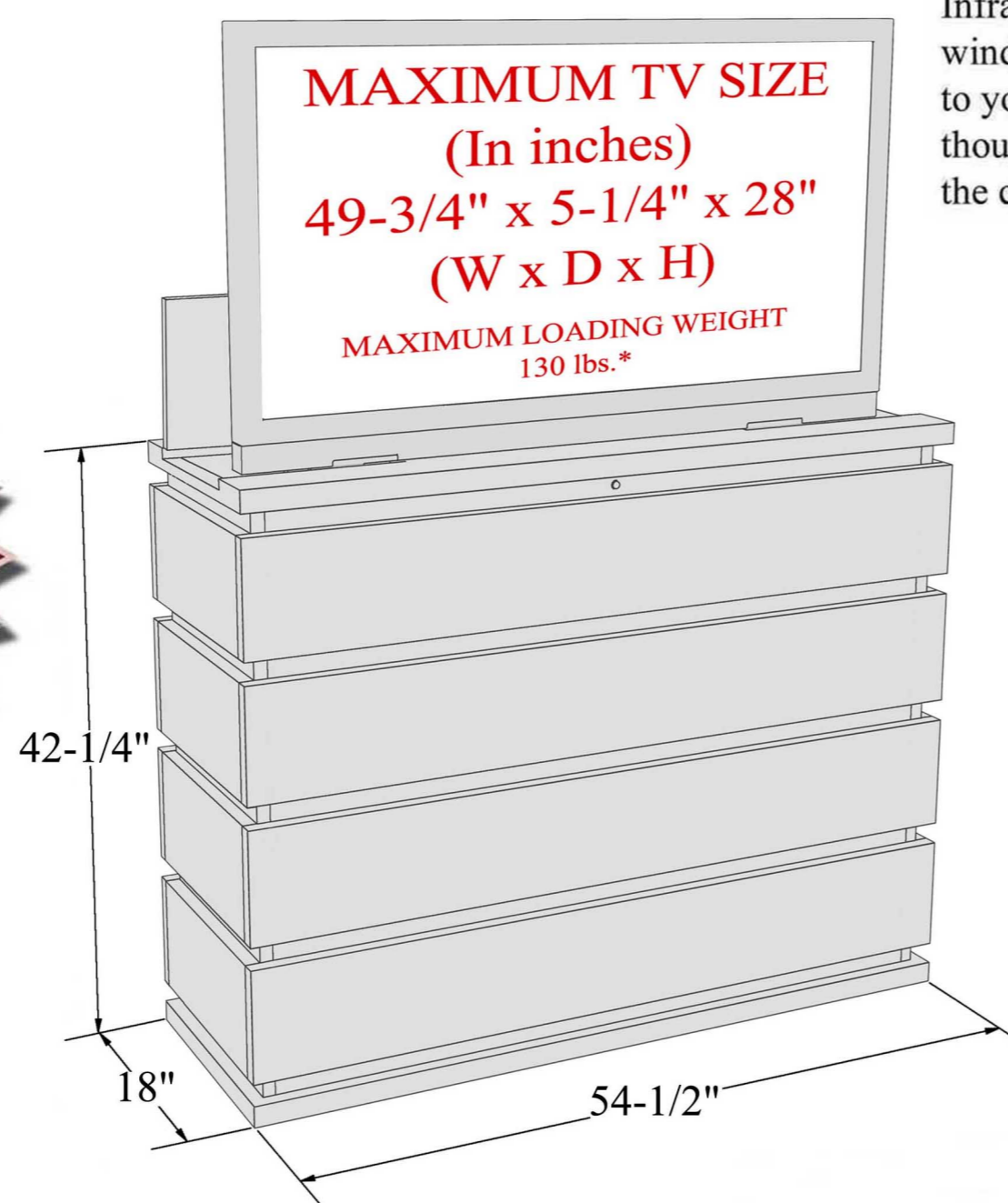
## PLASMA CONSOLE (FOOT OF THE BED UNIT)

### LIFT FEATURES:

- \*Fully assembled.
- \*1 year in home parts and labor warranty.
- \*Radio Frequency Remote.
- \*Universal TV mounting bracket included.
- \*Auto reversing safety mechanism.
- \*Heavy duty rack and pinion drive system.
- \*Smooth and stable travel.
- \*Nearly silent operation.
- \*Welded steel construction.
- \*Thermal overload protection.
- \*Built in wire management.
- \*Patent Pending.

### CABINET FEATURES:

- \*Fully assembled.
- \*Built-in Infrared System.
- \*Flip down both sides of bottom to store electronic device.
- \*Multi step stain and scratch resistant finish.
- \*Fully ventilated to allow for generous air circulation.



Infrared relay system provides a window from your handheld remotes to your TV and audio components even though they are concealed inside the cabinet. No programming required!



PERSPECTIVE

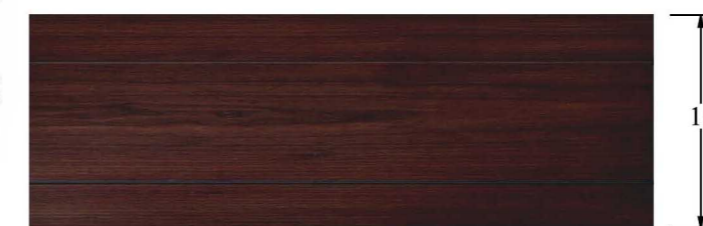
PERSPECTIVE  
(closed)



REAR PERSPECTIVE  
Shown with Plasma TV raised  
and electronic storage opened



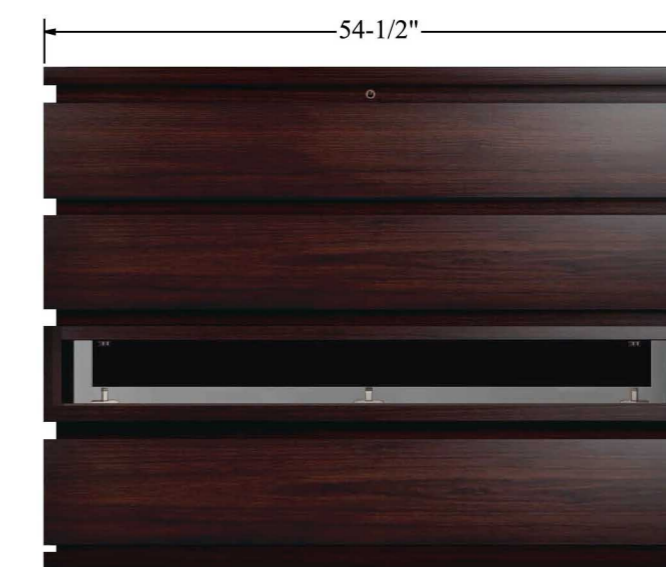
FRONT PERSPECTIVE  
Shown with Plasma TV raised  
and electronic storage opened



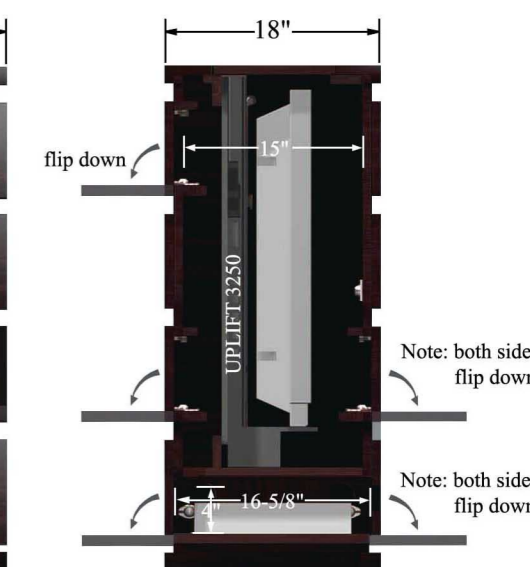
TOP VIEW



FRONT VIEW



REAR VIEW



SIDE SECTION