



## INSTRUCTIONS FOR #676 #678 w/base

For more details or assistance, go to [WWW.FLIPWORKS.COM](http://WWW.FLIPWORKS.COM)

**Tools Required:** #2 Phillips screwdriver

**Kit Includes:**

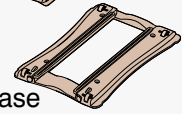
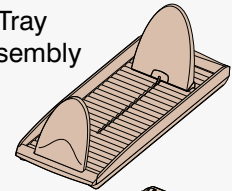
1 Tray Assembly

2 L Brackets

4 Screws, 1/2" long

4 Screws, 1" long

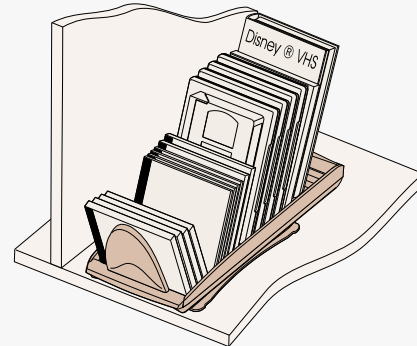
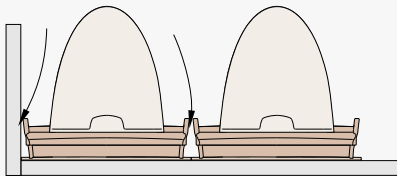
1 Base Assembly



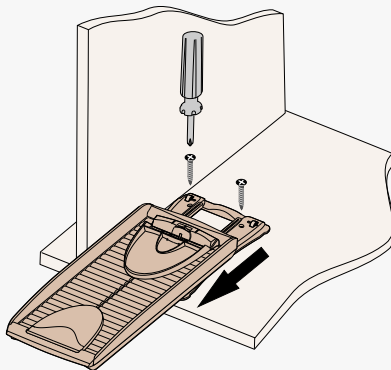
**Step 1** Snap up the Back Support and put several pieces of your tallest items (CD's or DVD's) in the tray. Set the tray with base on your mounting surface and verify:

- Enough height, width and depth
- Tray will not hit anything when pulling out
- Tray fits behind any doors

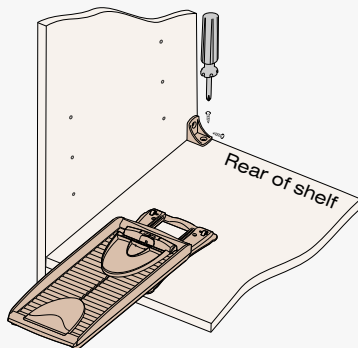
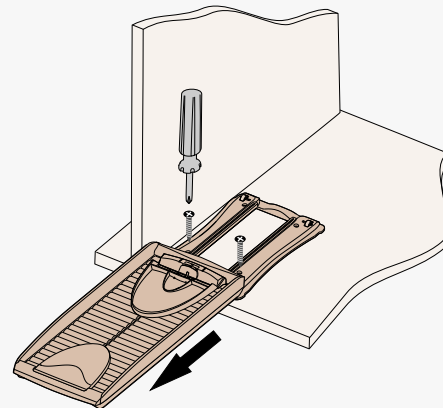
Base provides clearance automatically



**Step 2** Slide tray forward to install two supplied 1" long screws in the rear. (Be sure the base does not move).



**Step 3** Slide tray all the way forward to install front two supplied 1" long screws.



Includes 2 brackets w/screws

Note: Brackets perform best on the top (as shown) but can also be mounted on the underside of the shelf.

## Safety Information

**Flipworks**® trays must be mounted to a secure surface. We cannot be responsible for injury or damage caused by improper mounting or mounting to an unsecured surface.

### Test the safety of your overall installation!

After installation, pull out the EMPTY tray until it stops:

1. Push down on the front of the tray to simulate the weight of your collection and make sure your mounting surface supports the weight and remains secure.
2. Make sure your cabinet does not tip over. (Consider what happens if more than one tray is pulled-out at a time)
3. Consider possible abuse. Could a child climb on or hang on to a loaded tray when pulled out?