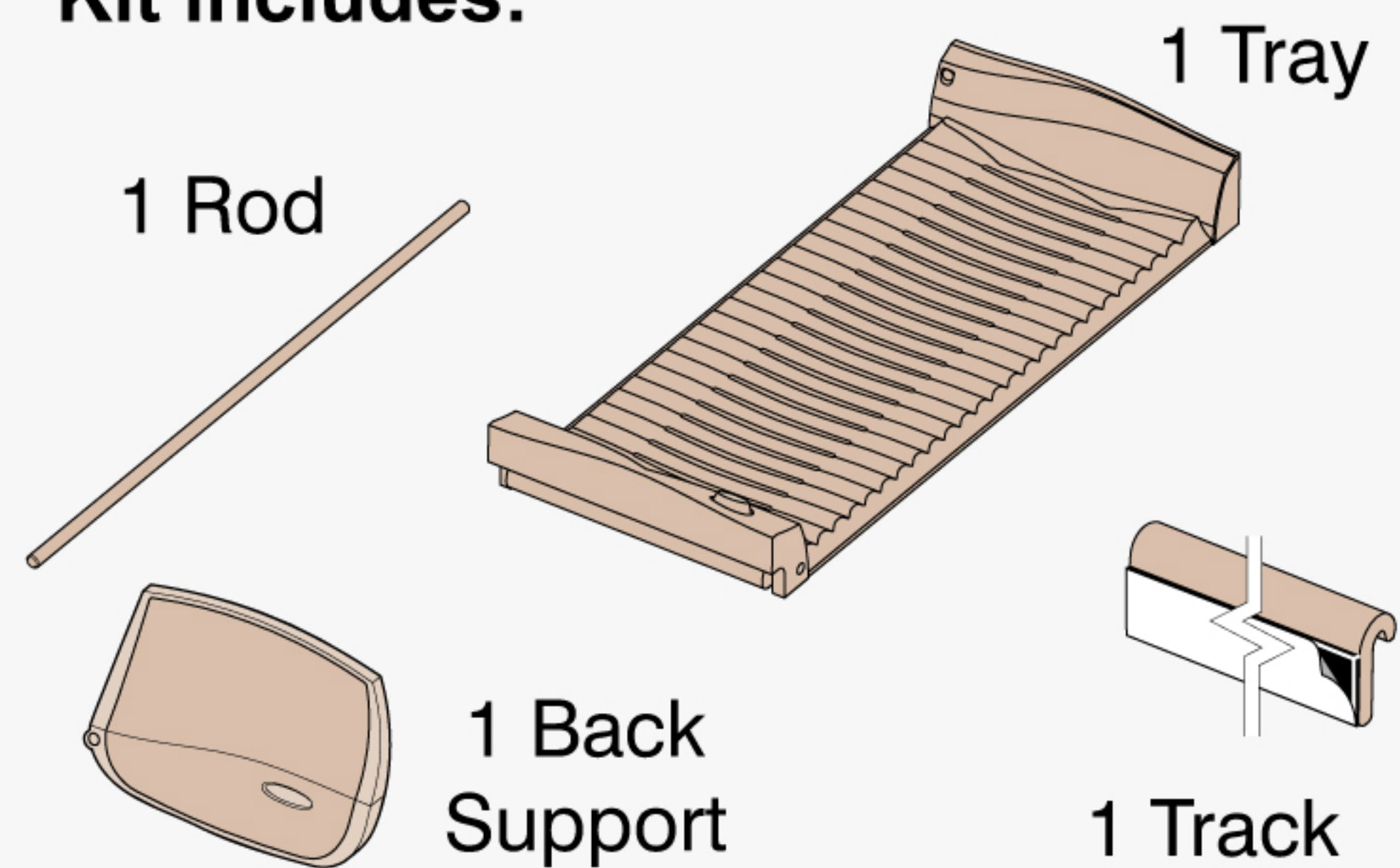


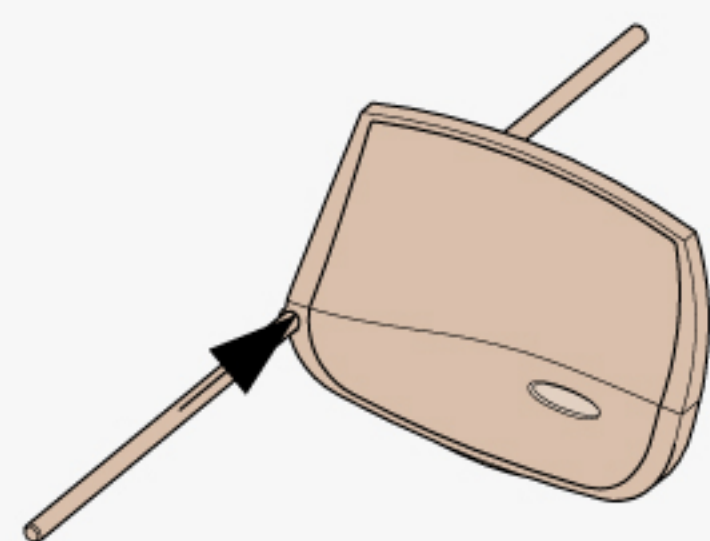
INSTRUCTIONS FOR #734 #735 #736

Tools Required: Sharp Kitchen Knife may be required

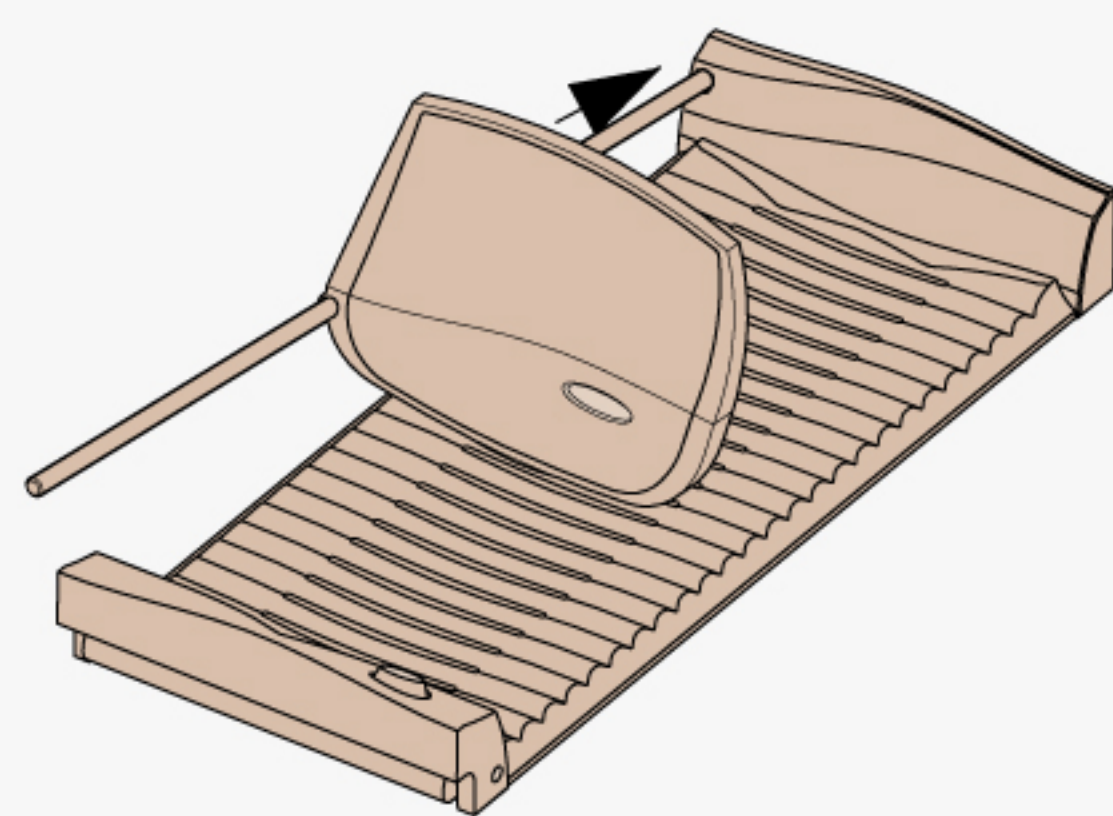
Kit includes:



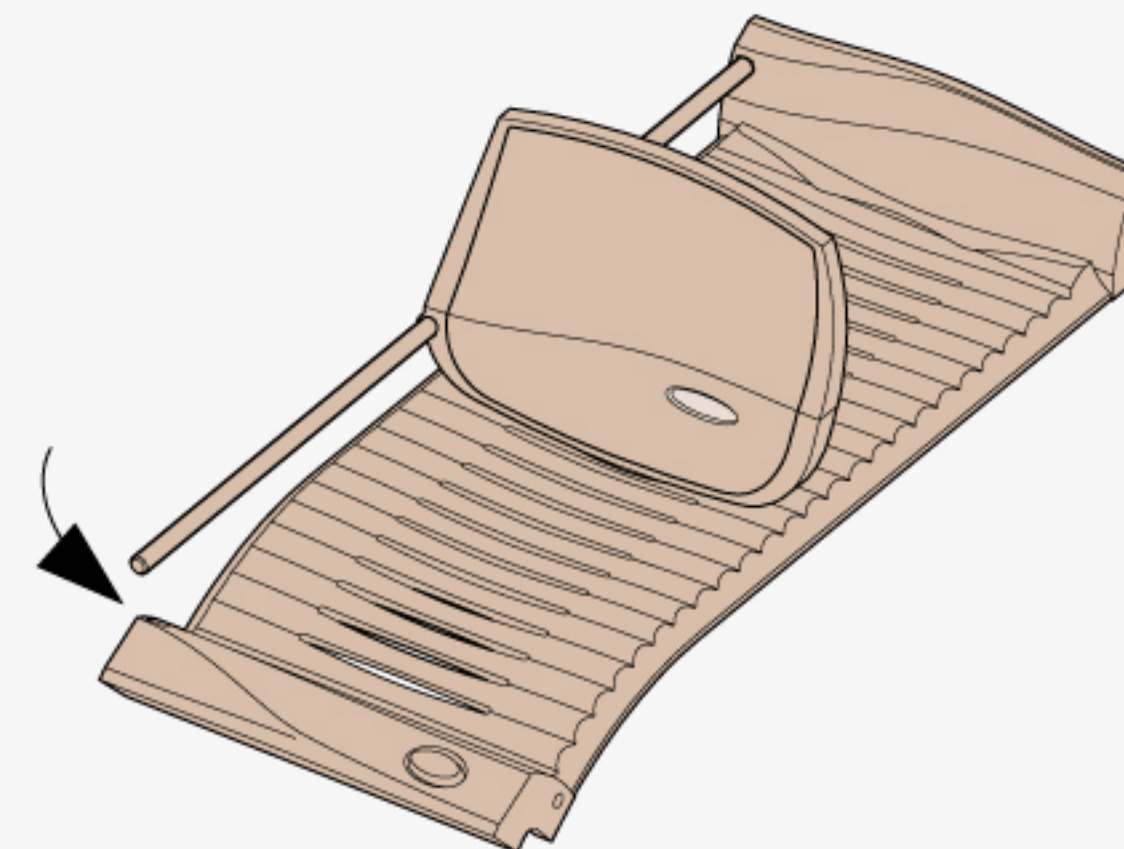
Step 1 Assemble the tray



Insert rod

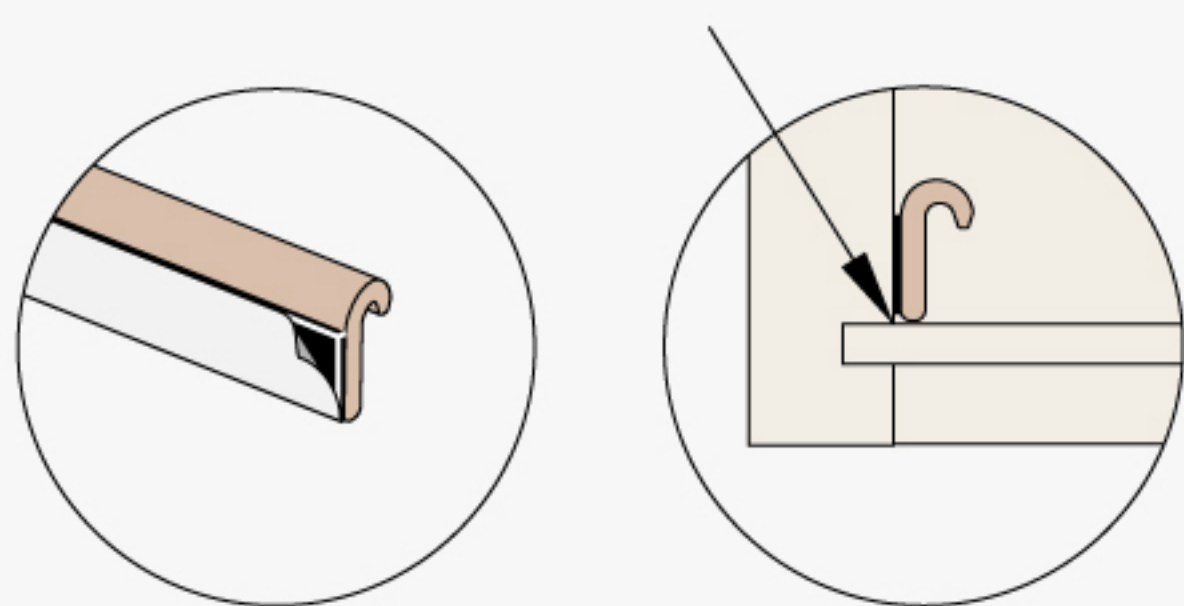


Slide rod into the rear hole

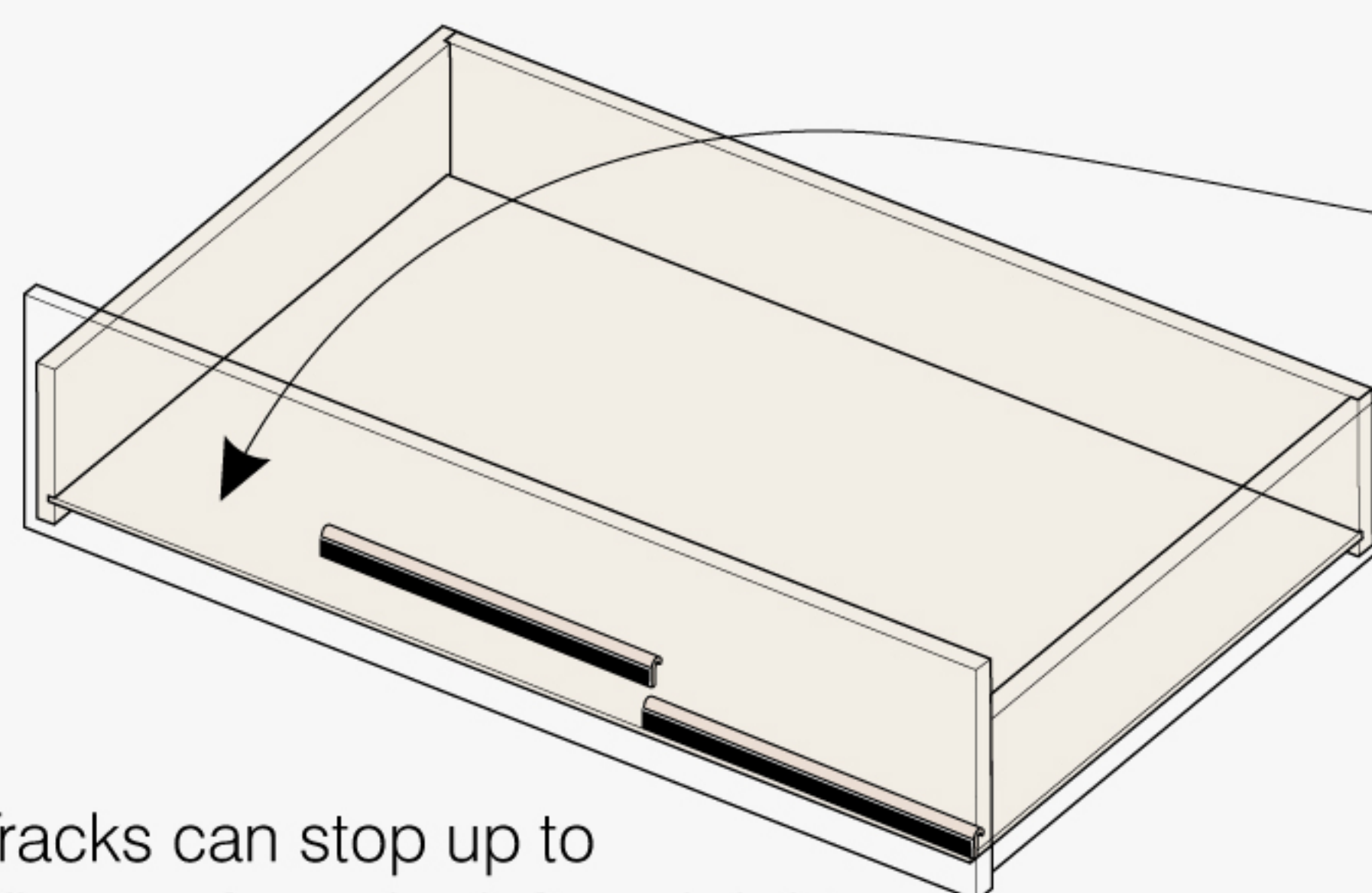


Flex the tray and install rod into the front hole

Step 2 On a clean surface Install full sections of track and cut the last track to fit.

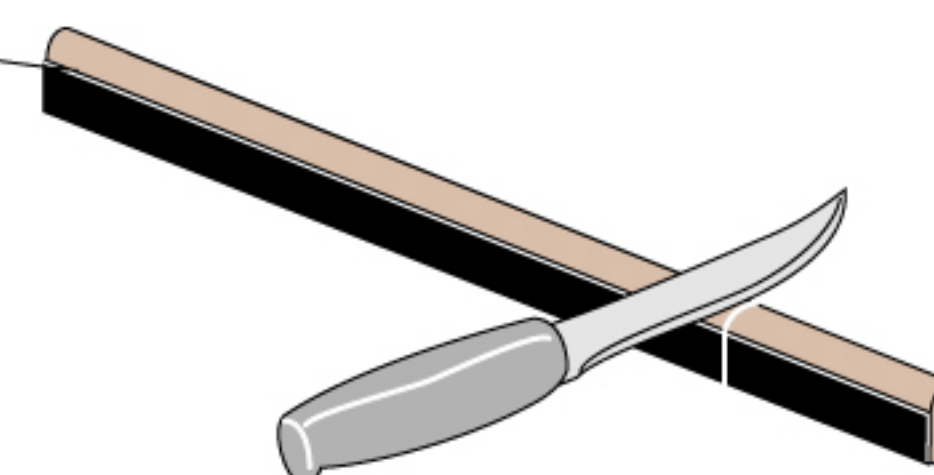


To install, remove adhesive backing and locate as shown



Tracks can stop up to 3" away from the left and right drawer sides and still hold the trays adequately.

Cutting to Fit



Using a sharp kitchen knife, score 2 or 3 sides including the paper and snap the track to length.

Step 3 Attach each tray onto the track (Use the release button or just push the tray on). To store CD's, install the trays touching each other. For wider media, push the button and slide the trays apart until the media fits with clearance.

Media is held against the right side of your drawer.

Best to start installing trays on the right side.

